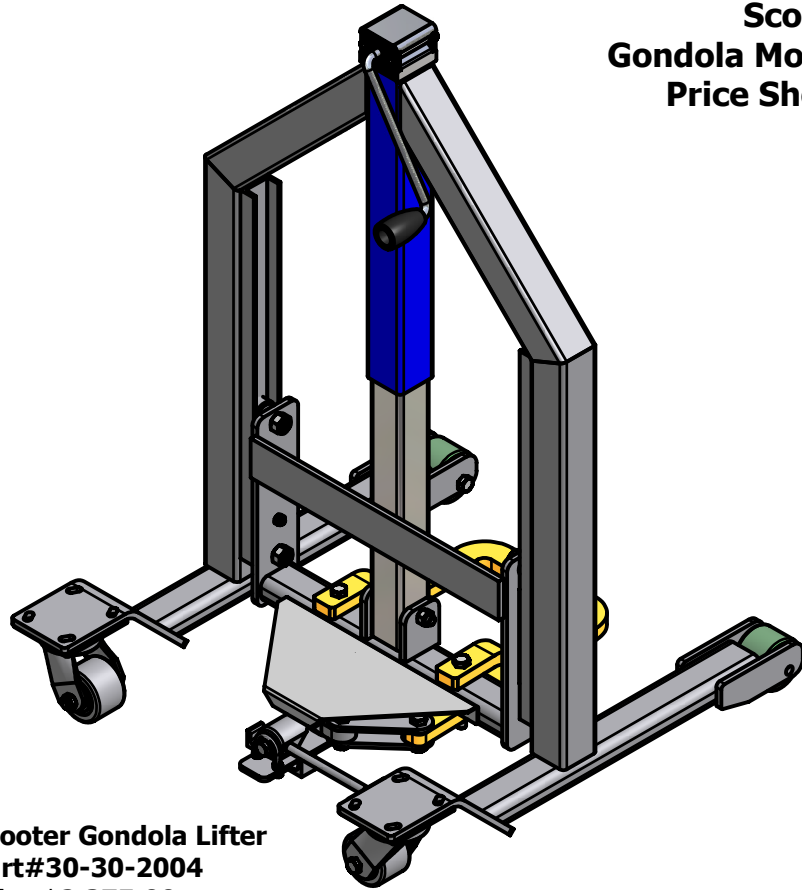
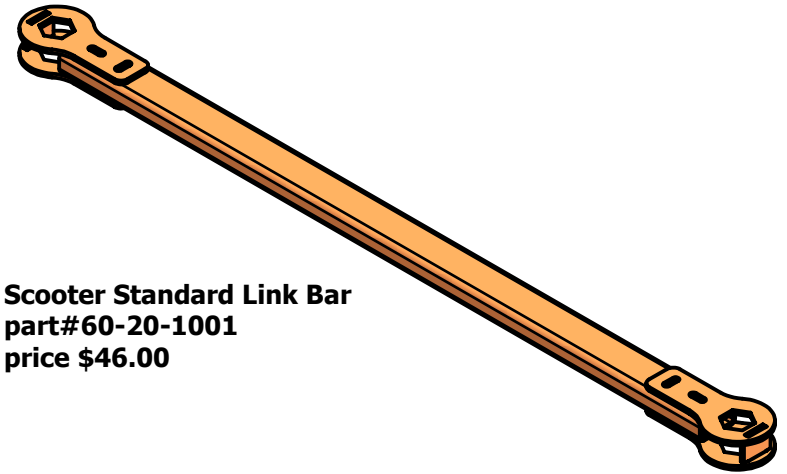


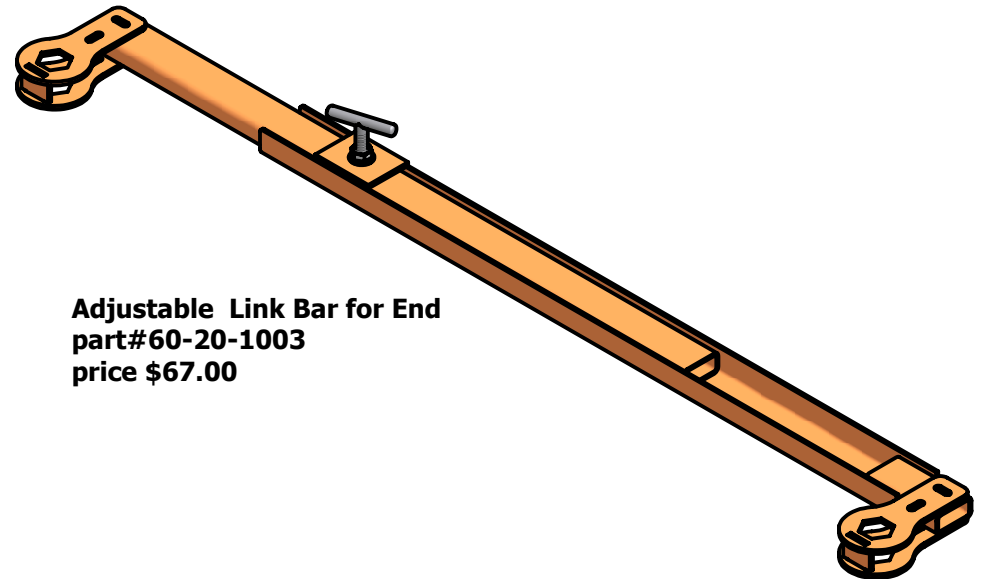
Scooter Gondola Moving System Price Sheet 2005



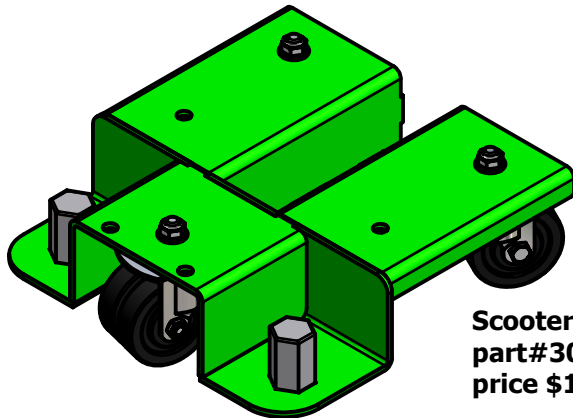
Scooter Gondola Lifter
part#30-30-2004
price \$2,375.00



Scooter Standard Link Bar
part#60-20-1001
price \$46.00



Adjustable Link Bar for End
part#60-20-1003
price \$67.00



Scooter
part#30-30-1002
price \$168.00



Des Moines, IA 50313
ph 515-564-1111
www.gondolamovers.com