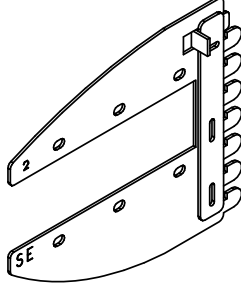
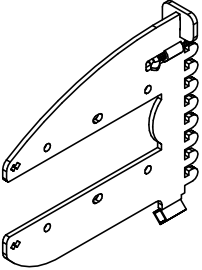
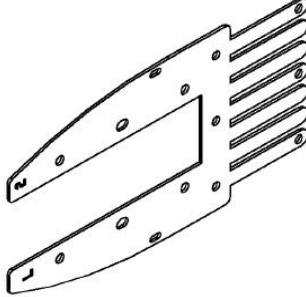
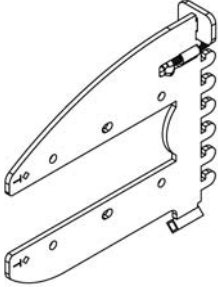
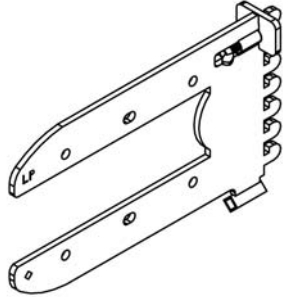
 <p><b>STREATER SS</b> #40-50-1092</p>	 <p><b>STREATER END</b> #40-50-1998</p>
 <p><b>MAX DOUBLE D</b> #40-50-1085</p>	 <p><b>LOZIER STD</b> #40-50-1050</p>
 <p><b>DIAMOND T</b> #40-50-1048</p>	 <p><b>LOW PROFILE</b> #40-50-1078</p>
<p>Custom fingers for your gondola system can be designed and fabricated for you.</p> <p><b>Call for fingers not listed</b></p> <p><i>Certain fingers require a handle bracket</i></p>	<p><b>Other Fingers;</b></p> <ul style="list-style-type: none"> <li>• Hussman</li> <li>• Childes</li> <li>• Hermsdorf</li> <li>• Handy</li> <li>• Syndicate</li> <li>• JA Wilson</li> <li>• Worchester</li> <li>• Storflex</li> </ul> <p>Plus many others</p>