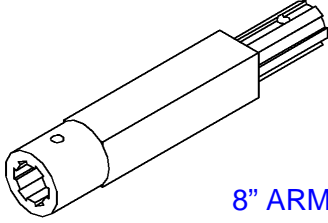
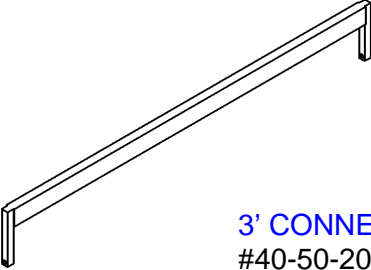
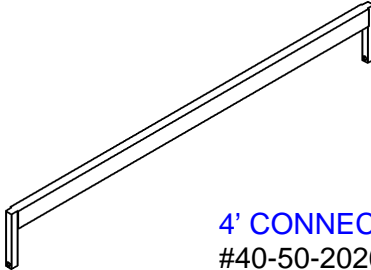
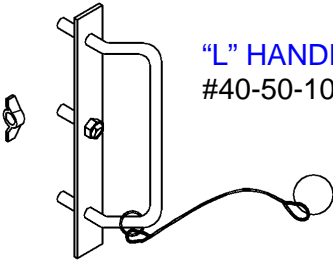
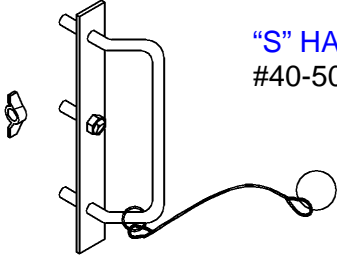
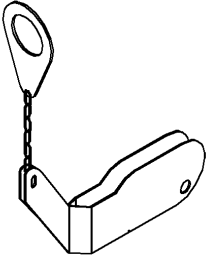
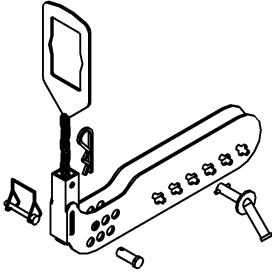
 <p>LIFT ARM STANDARD #40-50-2020</p>	 <p>8" ARM EXTENDER #40-50-2023</p>
 <p>3' CONNECTING BEAM #40-50-2025</p>	 <p>4' CONNECTING BEAM #40-50-2026</p>
 <p>"L" HANDLE BRACKET #40-50-1061</p>	 <p>"S" HANDLE BRACKET #40-50-1081</p>
 <p>BASE LIFTER STANDARD #40-50-2030</p>	 <p>BASE LIFTER UNIVERSAL #40-50-2031</p>